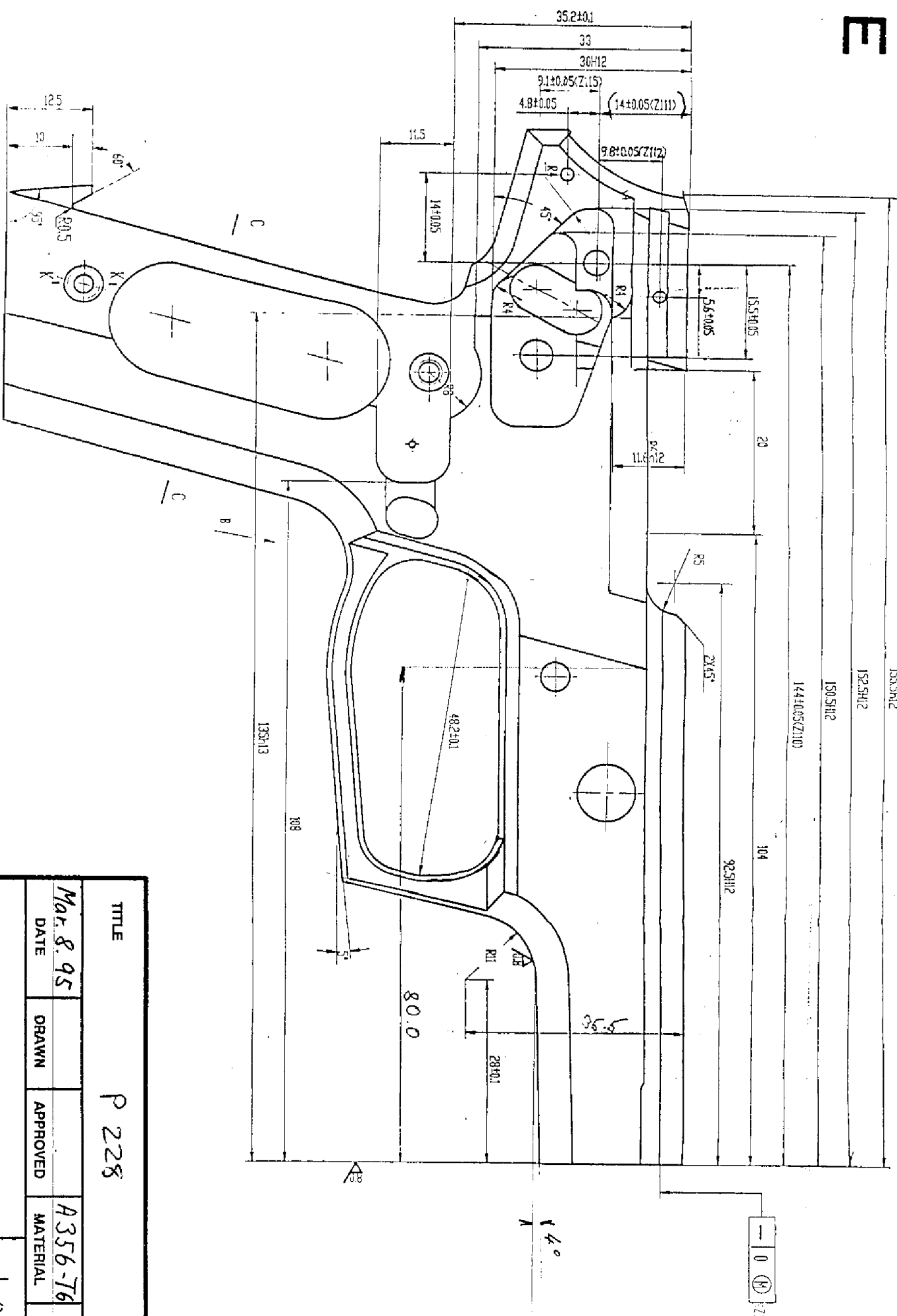
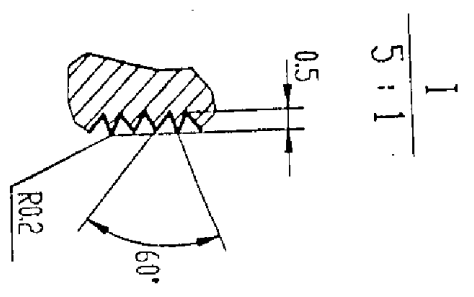
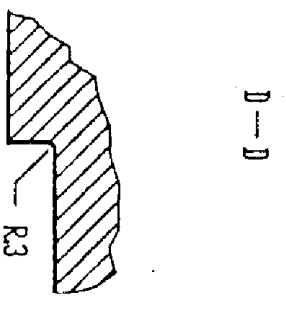
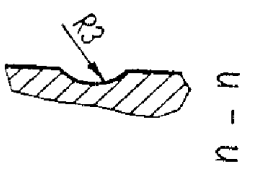
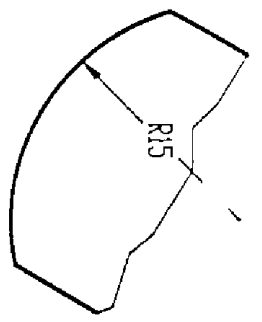
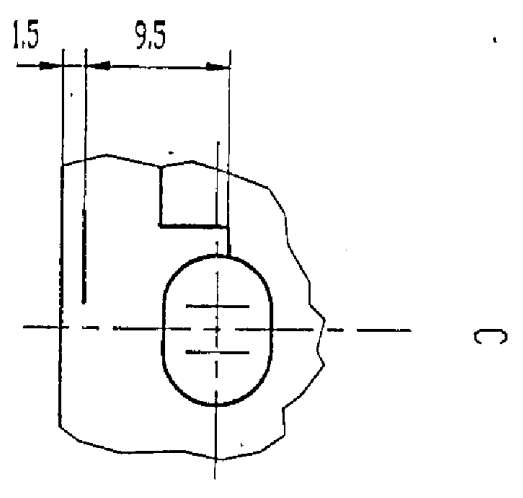
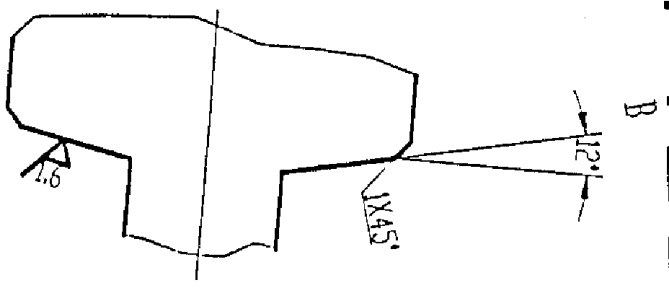


FILE

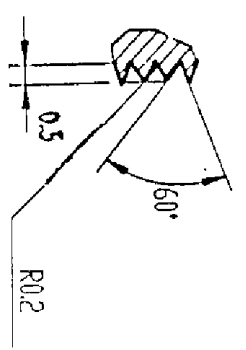


TITLE		P 228	
DATE	DRAWN	APPROVED	MATERIAL
Mar. 8. 95			A356-T6
SCALE		DRAWING NUMBER	
1 of 9			

FILE



II
5:1



TITLE P 228

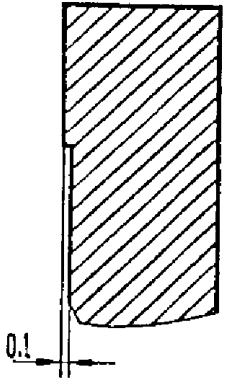
DATE	DRAWN	APPROVED	MATERIAL	SCALE
Nov. 8. 95			AS56-76	

8 of 9

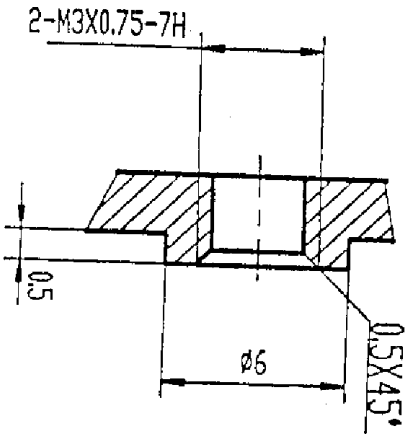
DRAWING NUMBER

FILE

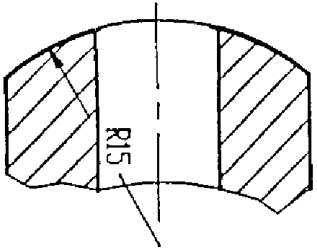
E-E
10:1



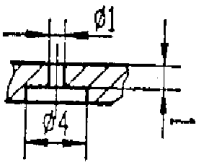
K-K
4:1



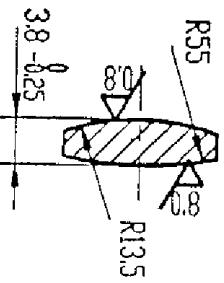
F-F



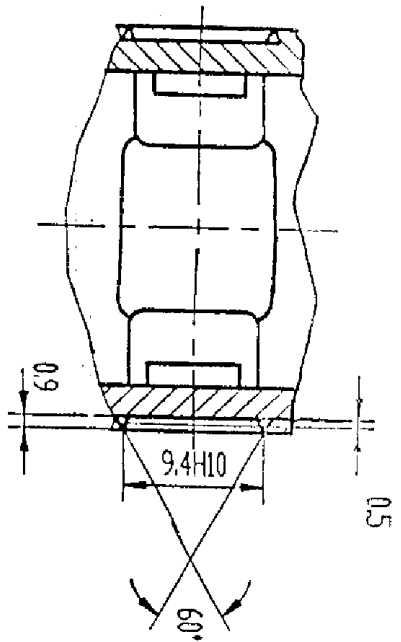
J-J



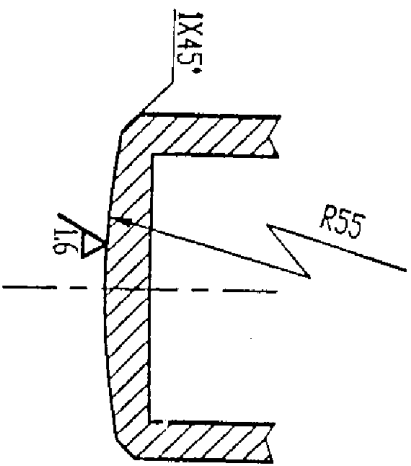
L-L



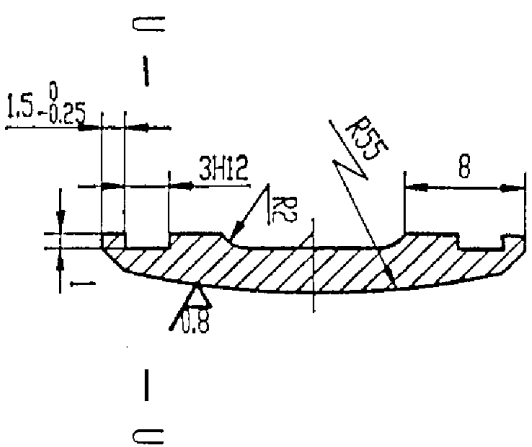
H-H



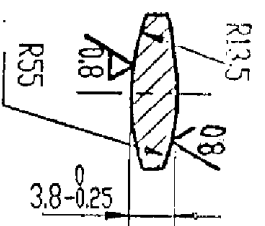
N-N



I-I



P-P



TITLE

P 228

DATE

3.8-0.25

DRAWN

APPROVED

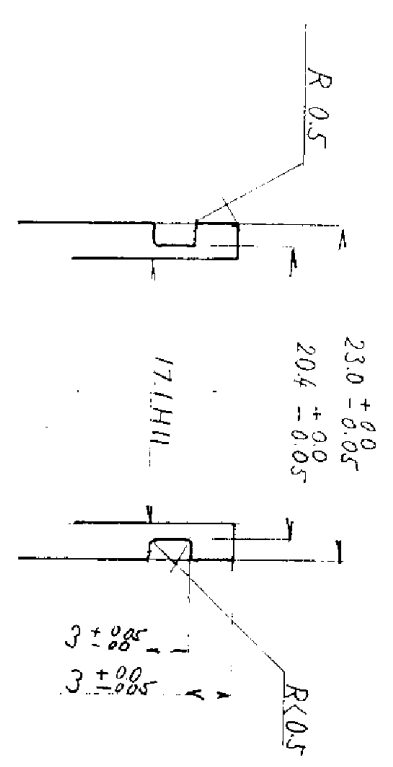
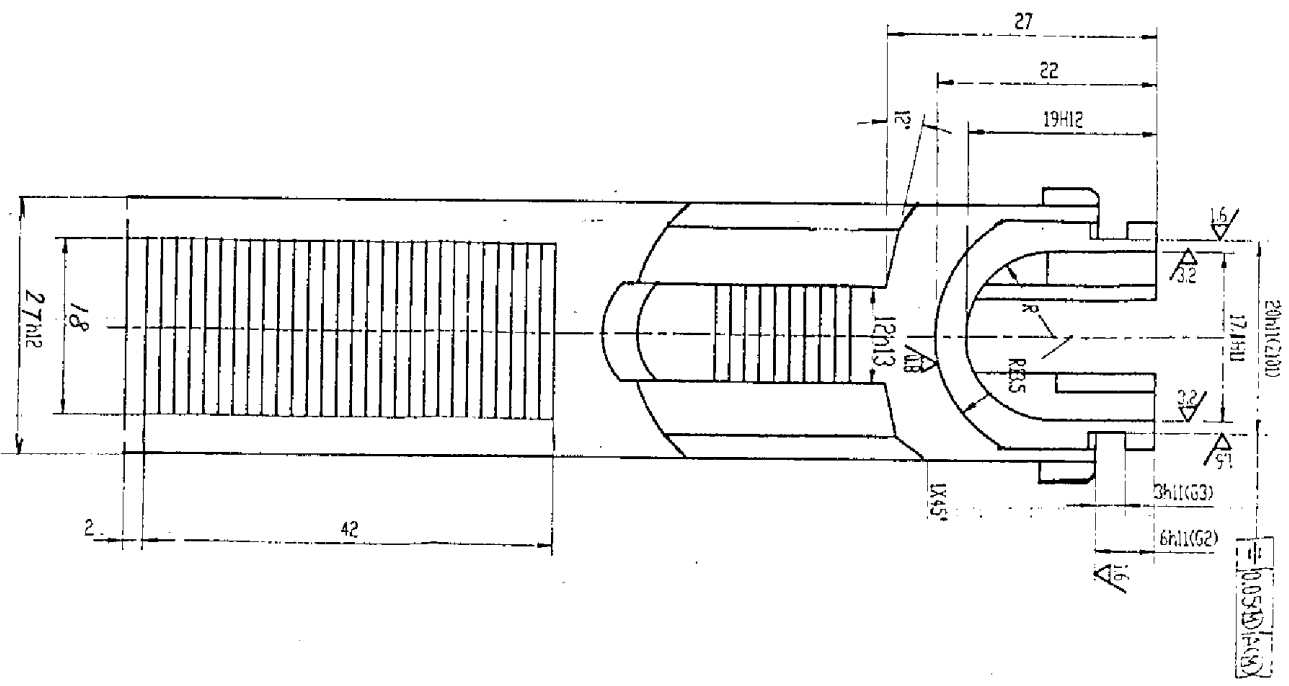
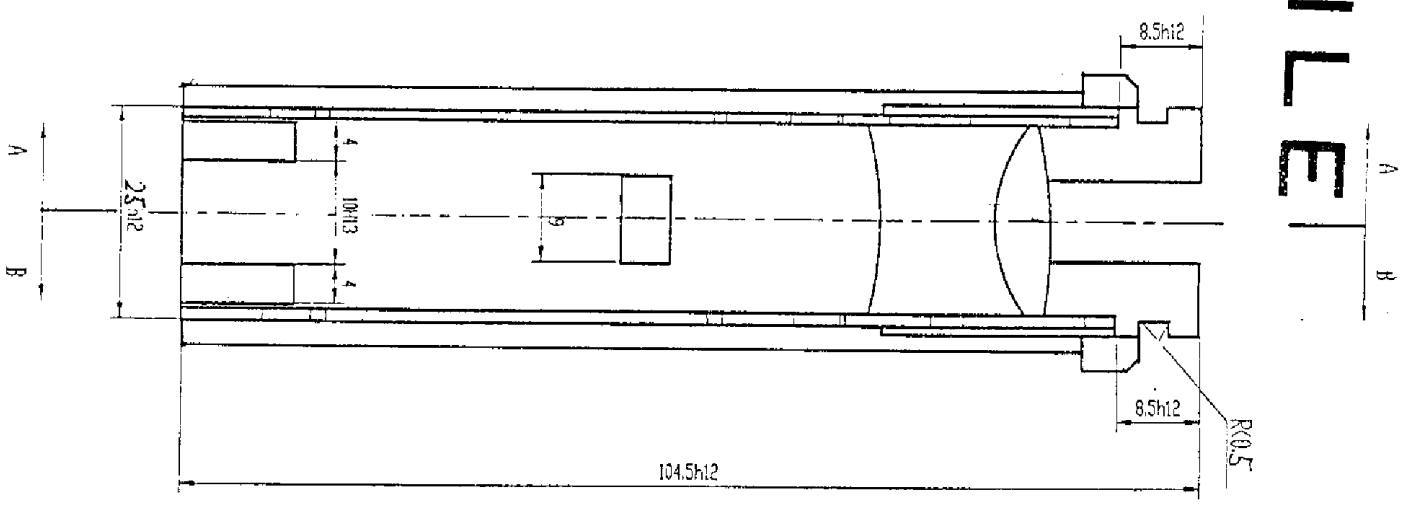
MATERIAL

SCALE

7 of 9

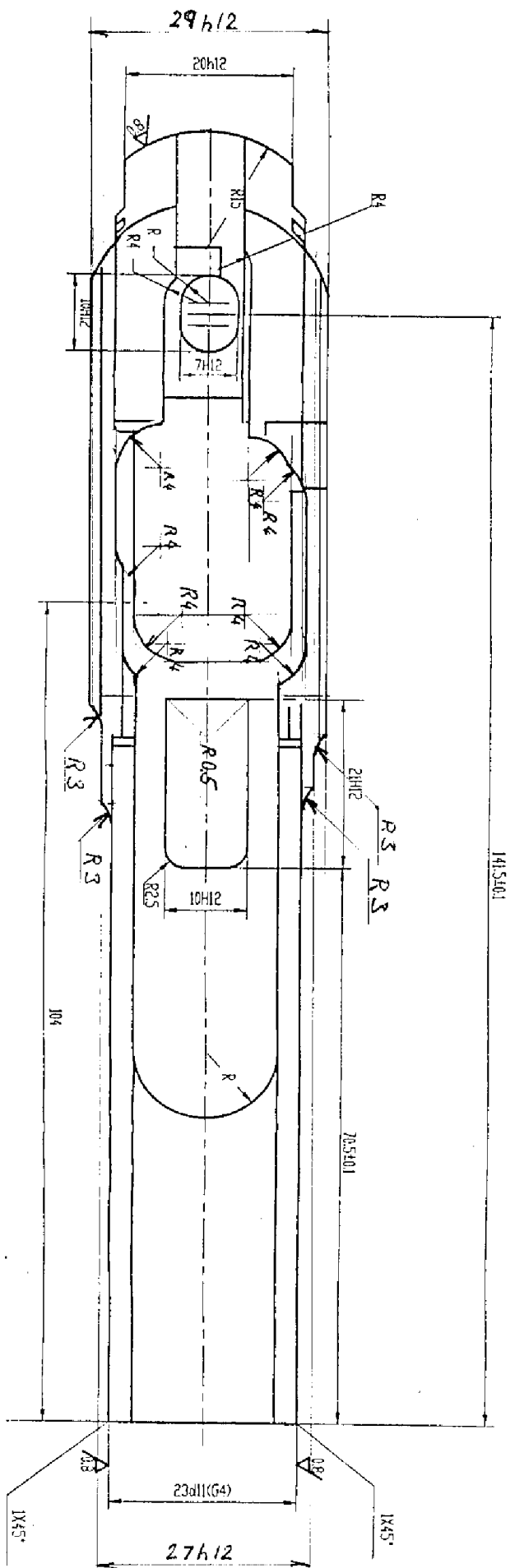
DRAWING NUMBER

FILE



TITLE		P 228	
DATE	DRAWN	APPROVED	MATERIAL
Mar 8 95			A856-76
SCALE		DRAWING NUMBER	
		6 of 9	

FILE



TITLE P 2228

DATE	DRAWN	APPROVED	MATERIAL	SCALE
Mar. 8. 05			A856-76	

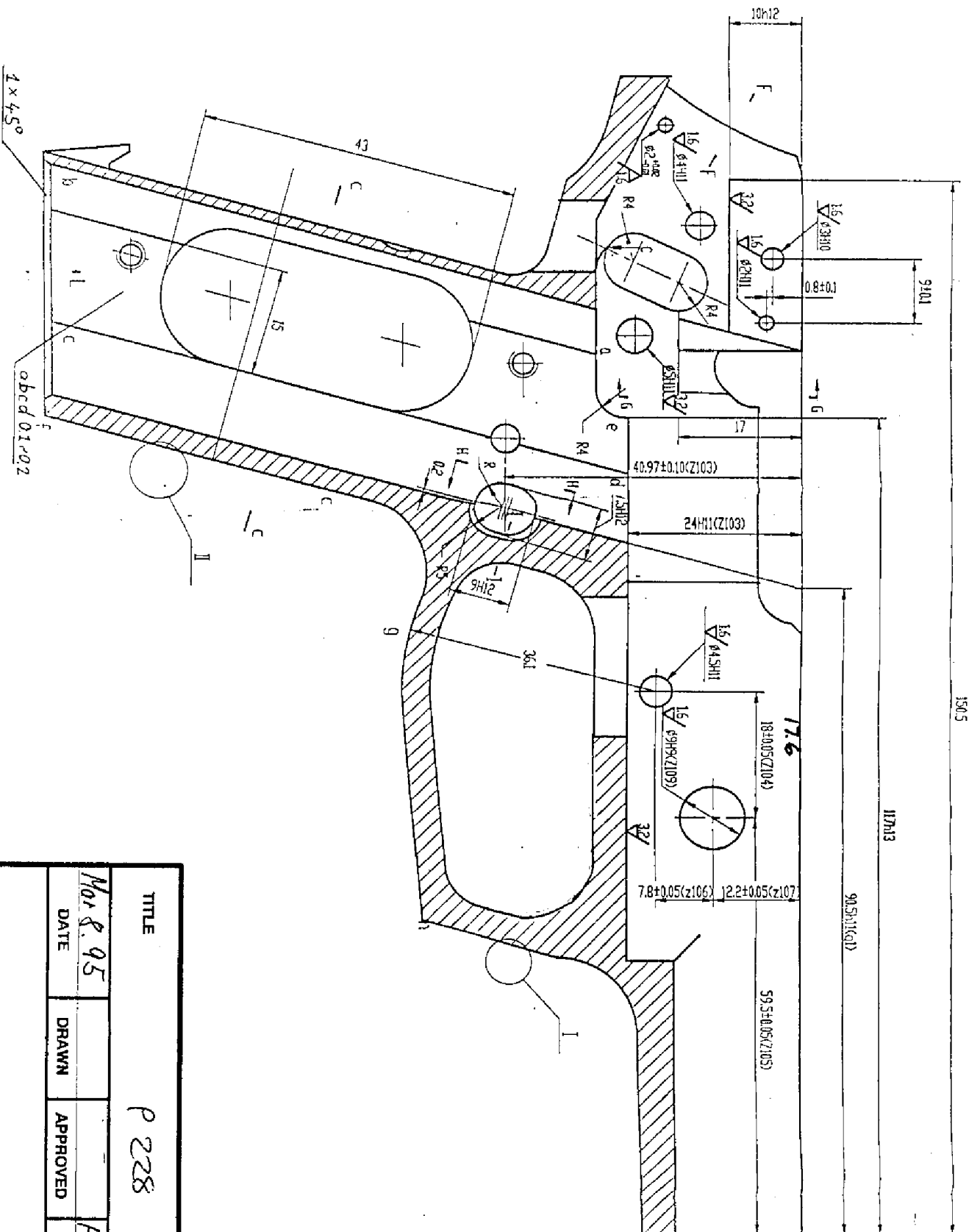
S of 9

DRAWING NUMBER

FILE

A - A

150.5



TITLE P 228

DATE Mar 8. 95

DRAWN

APPROVED

MATERIAL ASS6-76

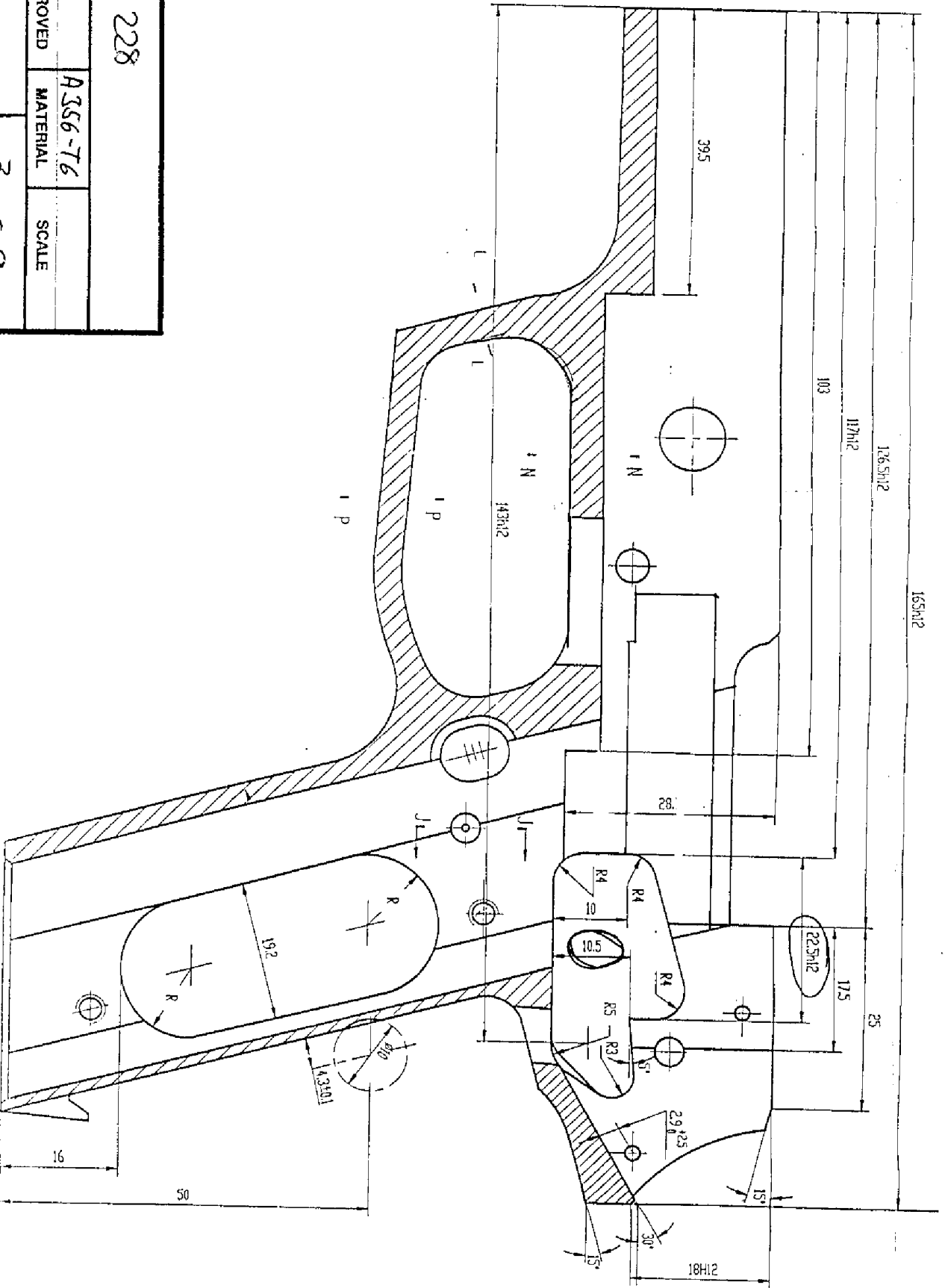
SCALE

DRAWING NUMBER 4 OF 9

FILE

B - B

6.3



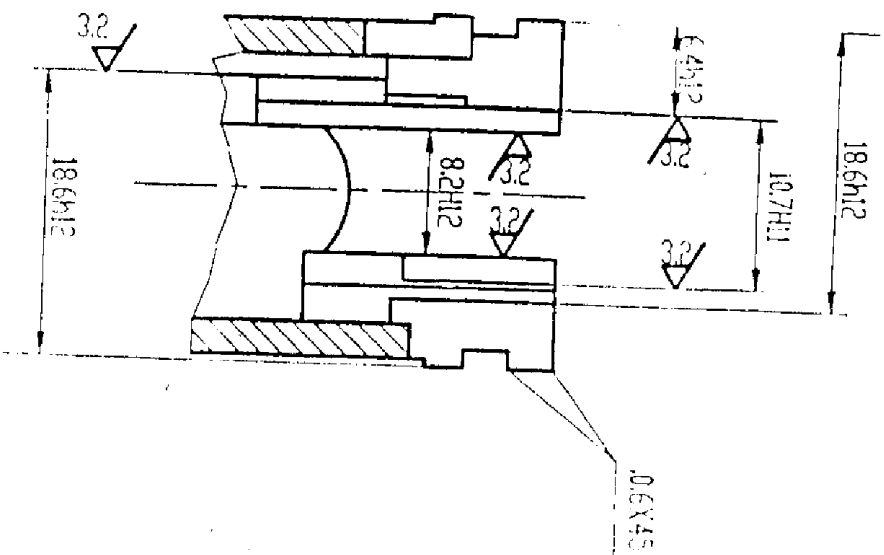
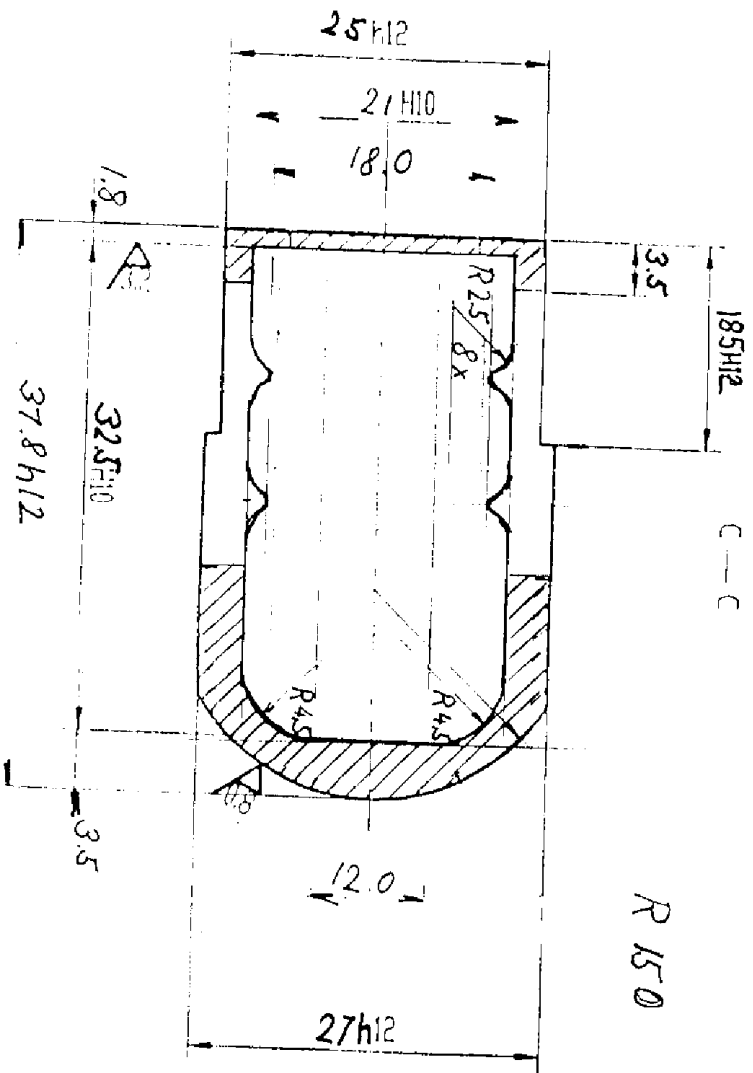
TITLE P 228

DATE	DRAWN	APPROVED	MATERIAL	SCALE
Nov 8 95			A 356-T6	

3 of 9

DRAWING NUMBER

FILE



TITLE P 228

Nov 8. 95

DATE

DRAWN

APPROVED

ASS6-76

MATERIAL

SCALE

9 of 9

DRAWING NUMBER